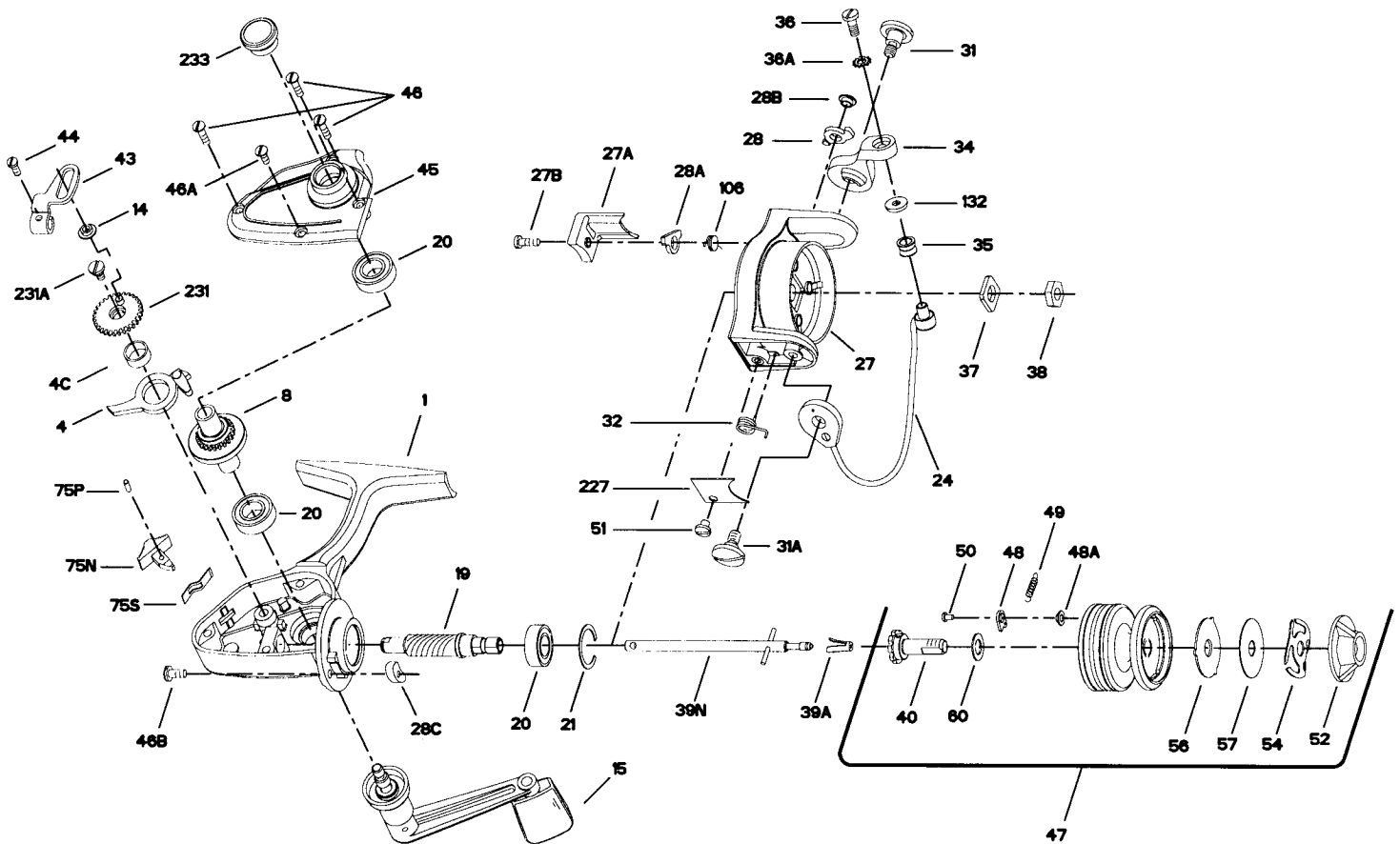




PARTS LIST FOR MODEL 4300SS



KEY NO.	DESCRIPTION	PART NO.	KEY NO.	DESCRIPTION	PART NO.
1	Housing	1-4300	39N	Spool Shaft	39N-4300
4	Dog	4-4300	40	Spool Sleeve Complete	40-716
4C	Dog Sleeve	4C-4300	43	Crosswind Arm	43-4300
8	Main Gear Assembly	8-4300	44	Crosswind Arm Screw	46-4300
14	Crosswind Roller	14-4300	45	Housing Cam	45-4300
15	Handle (Complete)	15-4300	46	Housing Cover Screw (3 req.)	46-4300
19	Pinion	19-4300	46A	Housing Cover Screw Small	46A-4300
20	Ball Bearing (3 req.)	20-722	46B	Trip Cam Screw	46A-704
21	Bearing Lock Ring	21-722	47	Spool (Complete)	47-4300
24	Bail Wire Assembly	24-4300	48	Click Tongue	48N-4300
27	Rotor Cup	27-4300	48A	Click Tongue Washer	48A-4300
27A	Bail Trip Cover	27A-4300	49	Click Spring	49-4300
27B	Bail Trip Cover Screw	27B-420	50	Click Spring Screw	63A-2.5FR
28	Trip Lever	28-420	51	Bail Spring Cover Screw	50-712
28A	Cam Lever	28A-440	52	Drag Knob	52-714
28B	Trip Lever Bushing	28B-440	54	Drag Spring	54-716
28C	Trip Cam	28C-420	56	Drag Washer-HT100	56-440
31	Rail Arm Screw	31-420	57	Drag Washer Metal	57-716